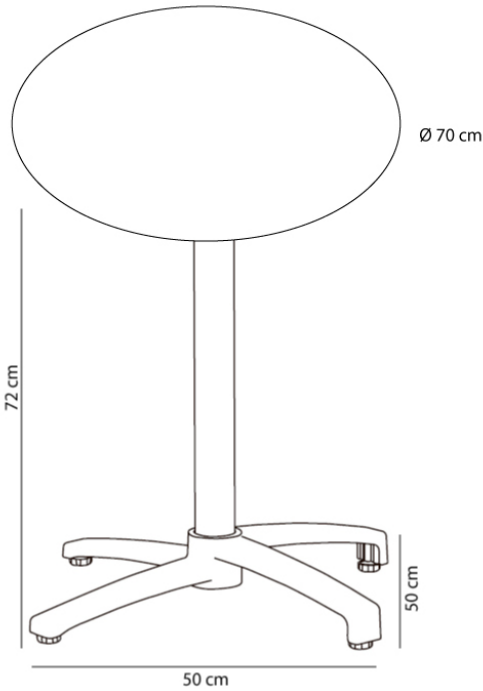


## Technical specifications

# Compact Phenolic Table Ø70 Fall Foot

By Resol



**Table in painted aluminium. Folding system. Indoor and outdoor use. HPL tabletop.**

### Measures

**Clearance height: 72cm**

**Clearance height: 28.35in**

**Base width: 50cm**

**Base width: 19.69in**

**Diameter: 70cm**

**Diameter: 27.56in**

### Weight

**14.46 Kg**

**31.88 lb**

## Logistical information

Units	Packaging (cm)	Packaging (in)	m <sup>3</sup>	ft <sup>3</sup>	Peso Br. (kg)	Gross We. (lb)
1X	71 x 74 x 20	27.95 x 29.13 x 7.87	0.105	3.71	15.18	33.47

## Sustainable Production - Environmental Commitment

Resol invests money and resources in research and the search for more sustainable processes.

All Resol products are produced with responsible use of water.

Under no circumstances are hazardous chemicals used during production.

At Resol, all waste is managed in a sustainable and responsible manner.



# RESOL

Technical specifications

# Compact Phenolic Table Ø70 Fall Foot

By Resol

Variants



**Hpl White Table Ø70 Fall  
Sand Leg**  
05031



**Hpl Black Table Ø70 Fall  
Sand Leg**  
05032



**Hpl White Table Ø70 Fall  
Black Leg**  
05037



**Hpl Black Table Ø70 Fall  
Black Leg**  
05038



**Hpl White Table Ø70  
Fall White Leg**  
05043

## Sustainable Production - Environmental Commitment

Resol invests money and resources in research and the search for more sustainable processes.

All Resol products are produced with responsible use of water.

Under no circumstances are hazardous chemicals used during production.

At Resol, all waste is managed in a sustainable and responsible manner.



# RESOL