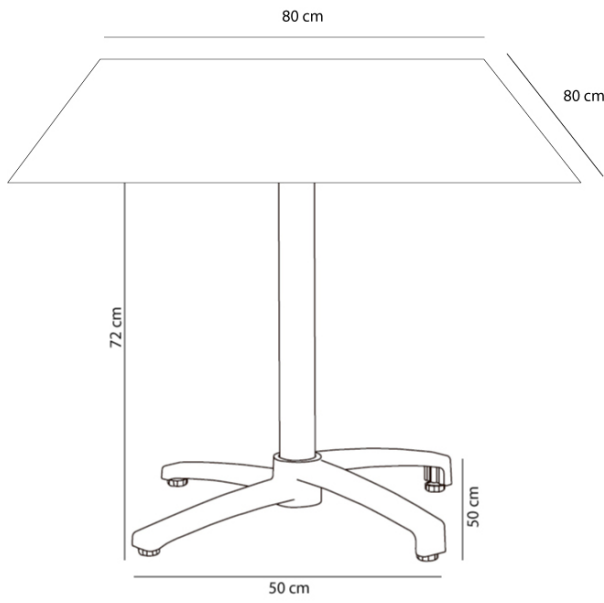


## Technical specifications

# Fall Compact Phenolic Table 80x80

By Resol



**Table leg in painted aluminium. Folding system. Indoor and outdoor use. Compact phenolic tabletop.**

### Measures

**W 80cm x L 80cm x H 71cm x Hb 70cm**

**W 31.5in x L 31.5in x H 27.95in x Hb 27.56in**

### Weight

**15.92 Kg**

**35.1 lb**

## Logistical information

Units	Packaging (cm)	Packaging (in)	m <sup>3</sup>	ft <sup>3</sup>	Peso Br. (kg)	Gross We. (lb)
1X	81 x 84 x 20	31.89 x 33.07 x 7.87	0.136	4.8	16.72	36.86

## Sustainable Production - Environmental Commitment

Resol invests money and resources in research and the search for more sustainable processes.

All Resol products are produced with responsible use of water.

Under no circumstances are hazardous chemicals used during production.

At Resol, all waste is managed in a sustainable and responsible manner.



# RESOL

Technical specifications

# Fall Compact Phenolic Table 80x80

By Resol

Variants



Hpl White Table 80x80 Fall Sand Leg  
05013



Hpl Black Table 80x80 Fall Sand Leg  
05014



Hpl Washed Wood Table 80x80 Fall Sand Leg  
05016



Hpl Ashen Oak Table 80x80 Fall Sand Leg  
05017



Hpl Natural Oak Table 80x80 Fall Sand Leg  
05018



Hpl White Table 80x80 Fall Black Leg  
05019



Hpl Black Table 80x80 Fall Black Leg  
05020



Hpl Washed Wood Table 80x80 Fall Black Leg  
05022



Hpl Ashen Oak Table 80x80 Fall Black Leg  
05023



Hpl Natural Oak Table 80x80 Fall Black Leg  
05024

## Sustainable Production - Environmental Commitment

Resol invests money and resources in research and the search for more sustainable processes.

All Resol products are produced with responsible use of water.

Under no circumstances are hazardous chemicals used during production.

At Resol, all waste is managed in a sustainable and responsible manner.



# RESOL